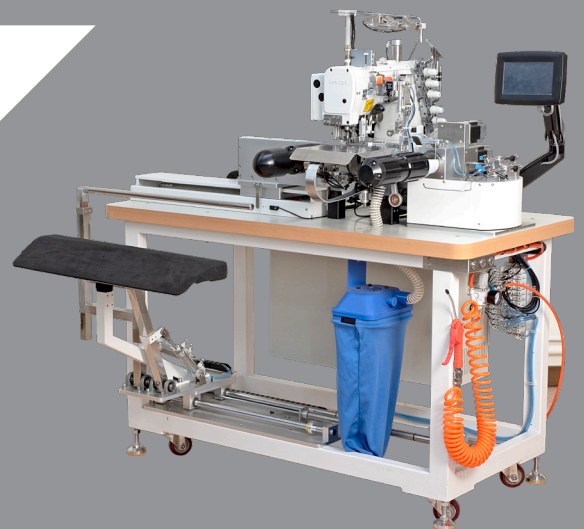


# SIRUBA

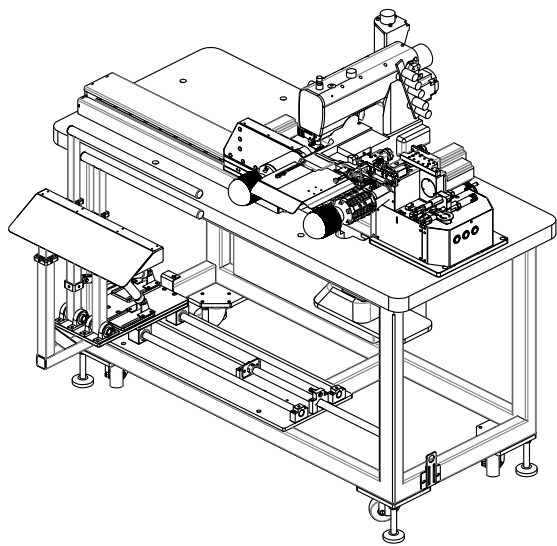
零件圖

PARTS LIST

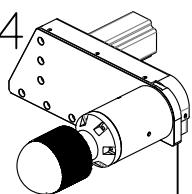
ASC-TBH100A



GC-00



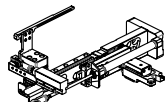
GC-P01-24



GC-B22-25



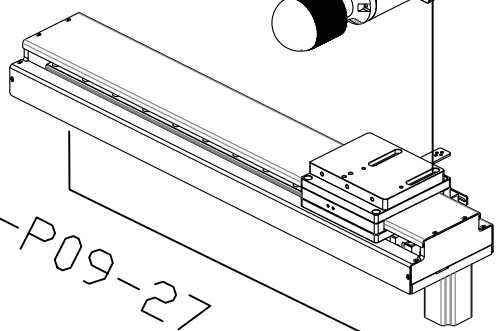
GC-B01-23



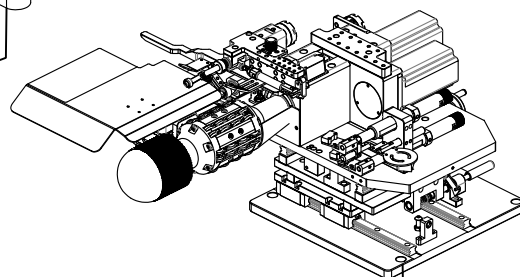
GC-B26-29



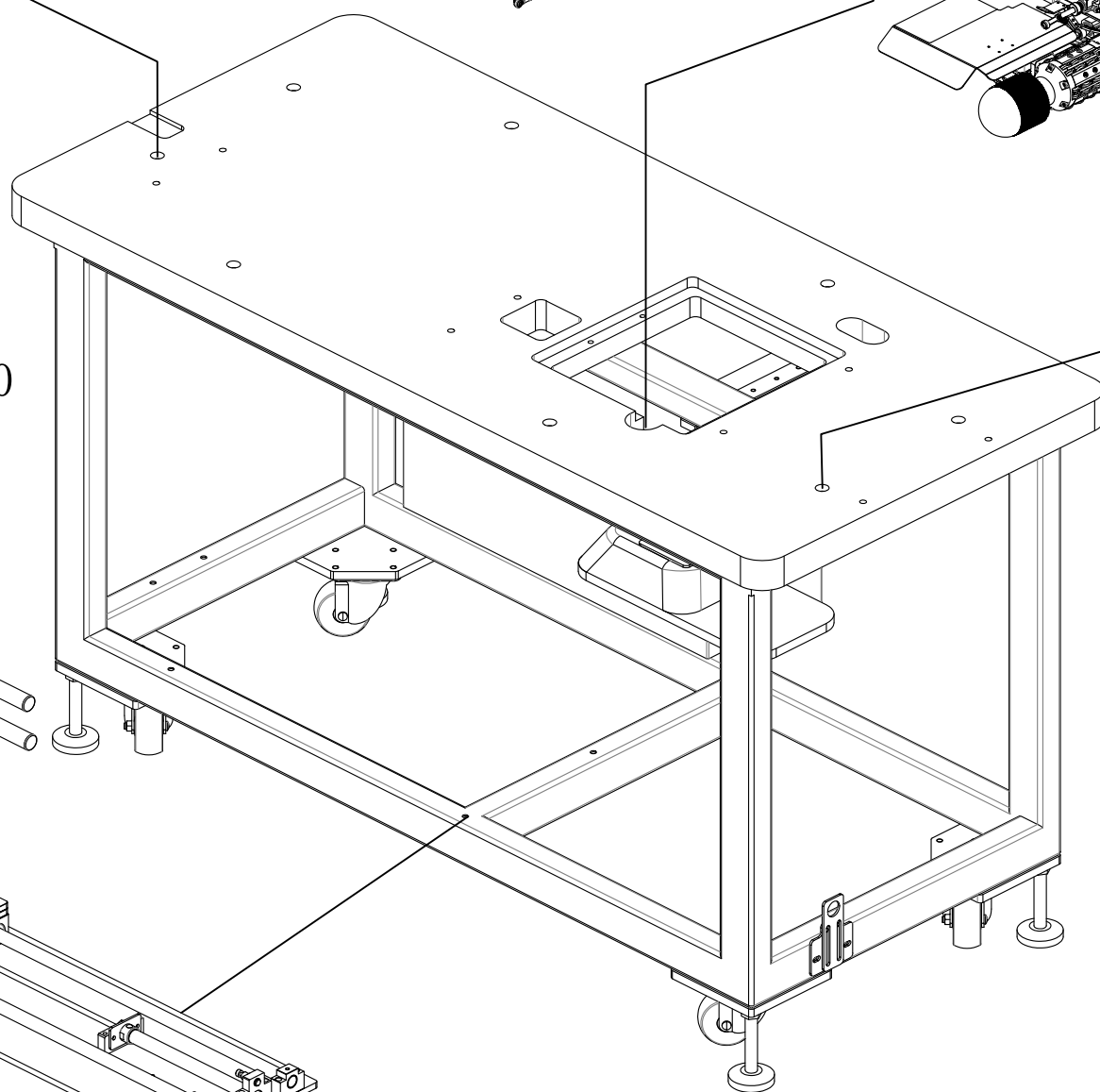
GC-P09-27



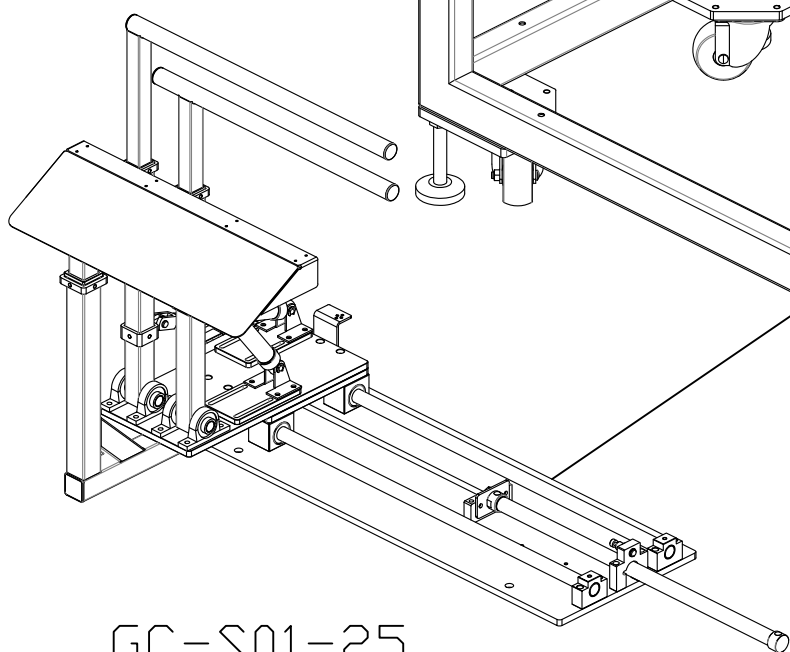
GC-B-H



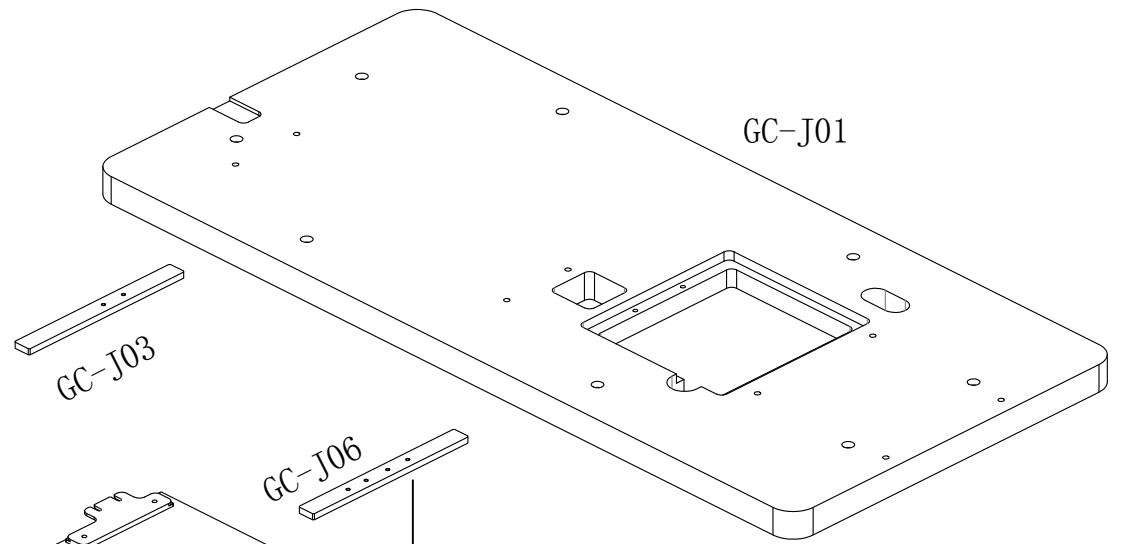
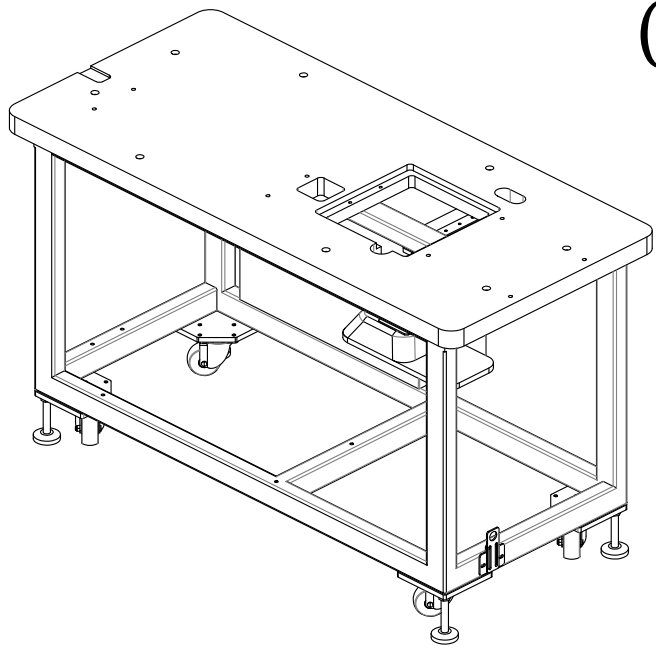
GC-J00



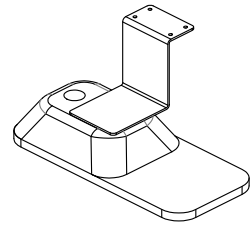
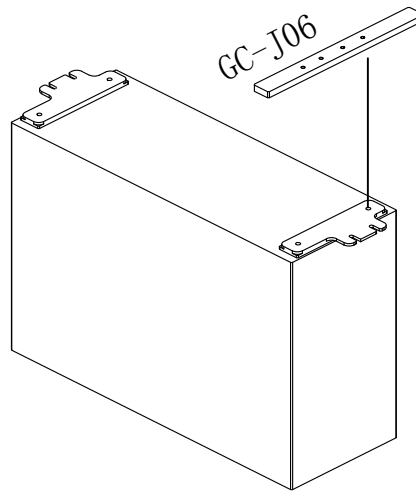
GC-S01-25



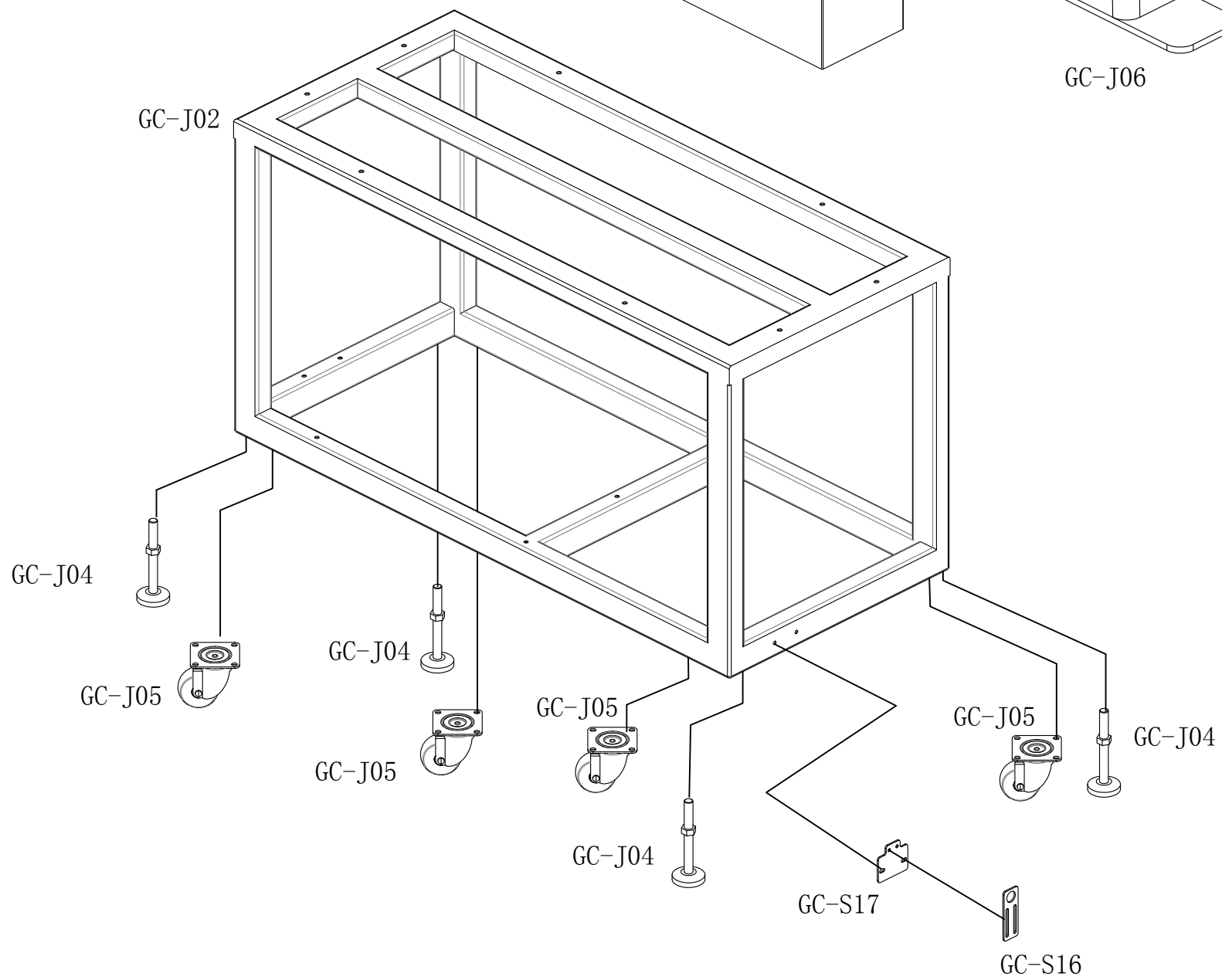
# GC-J00



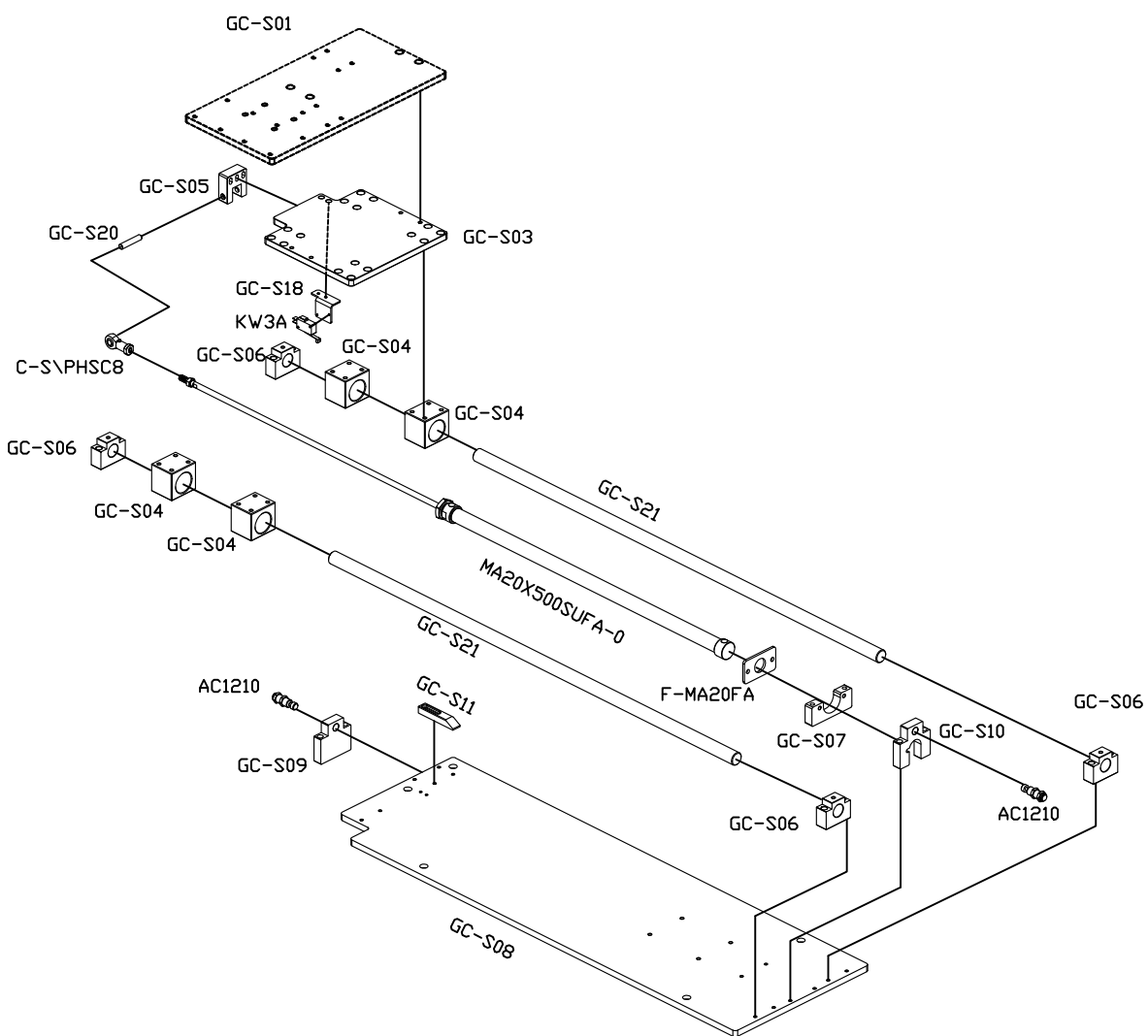
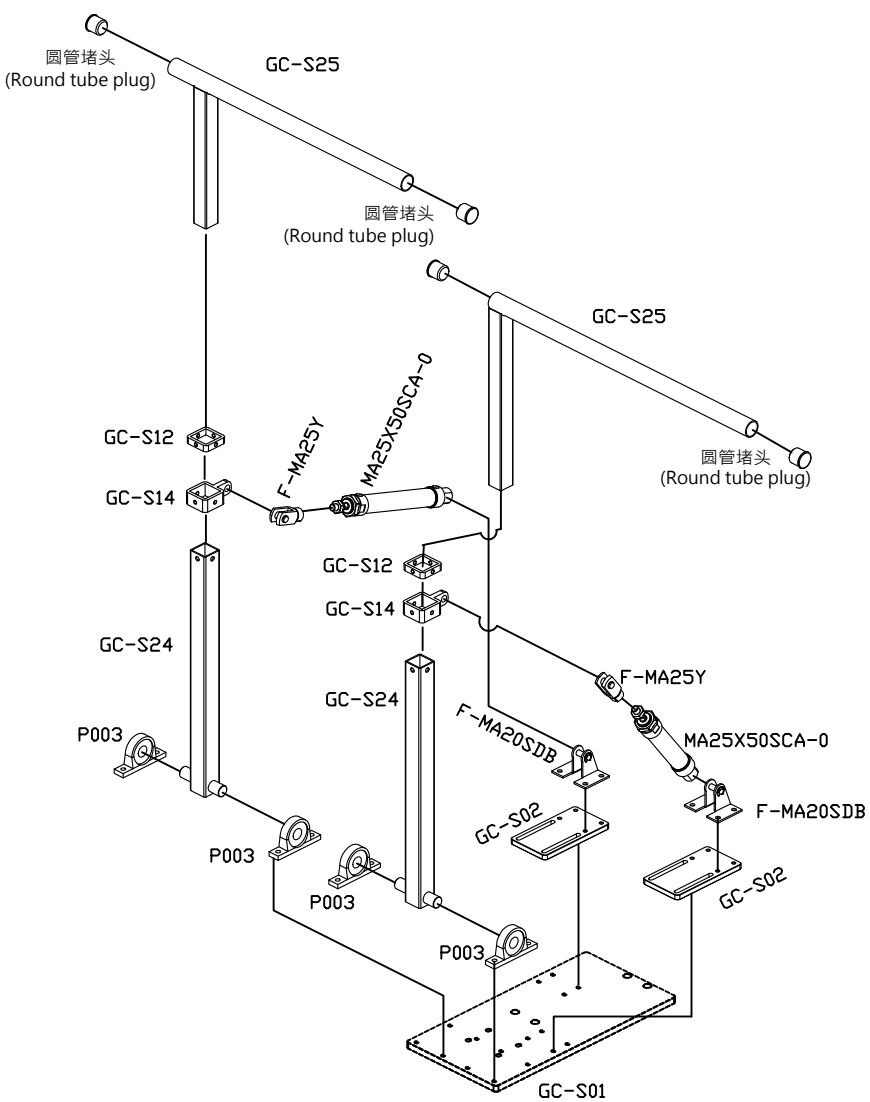
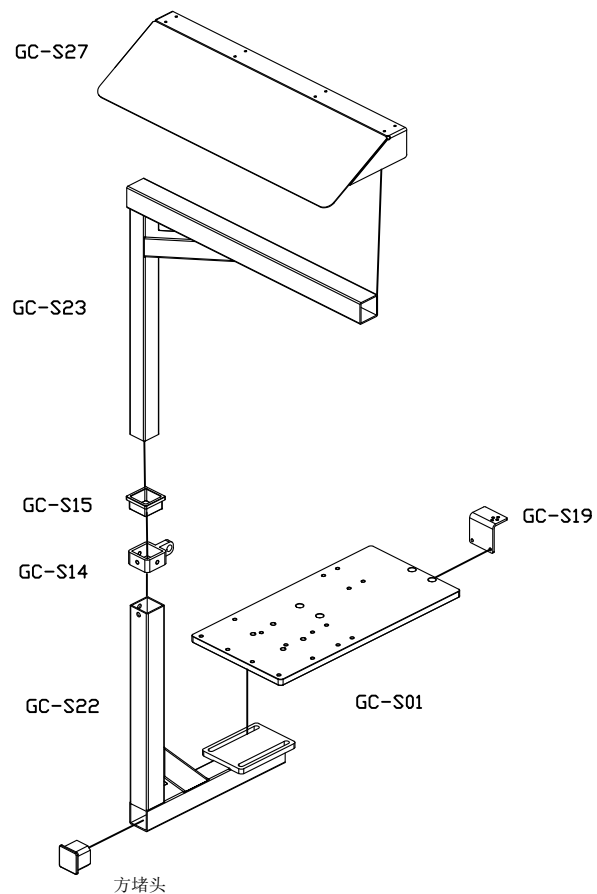
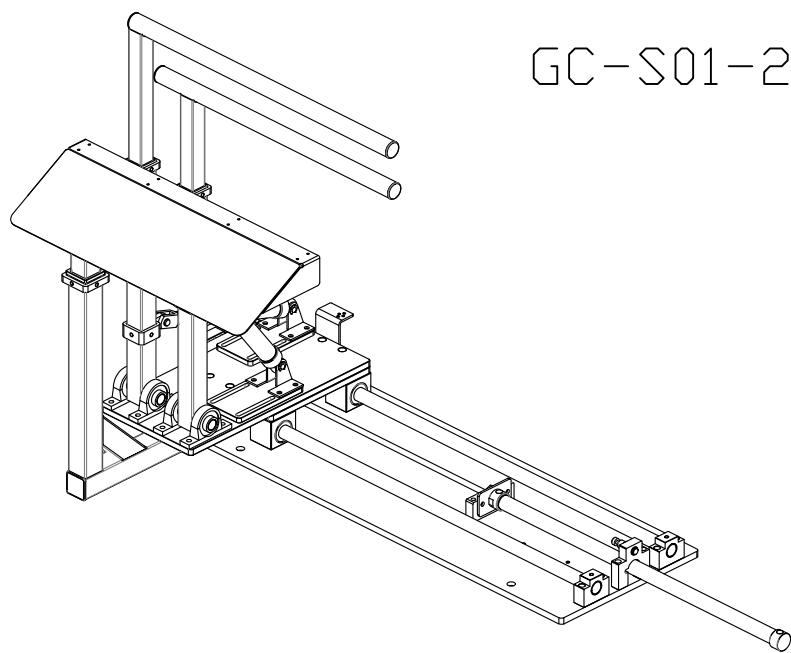
Y1B2-1500A



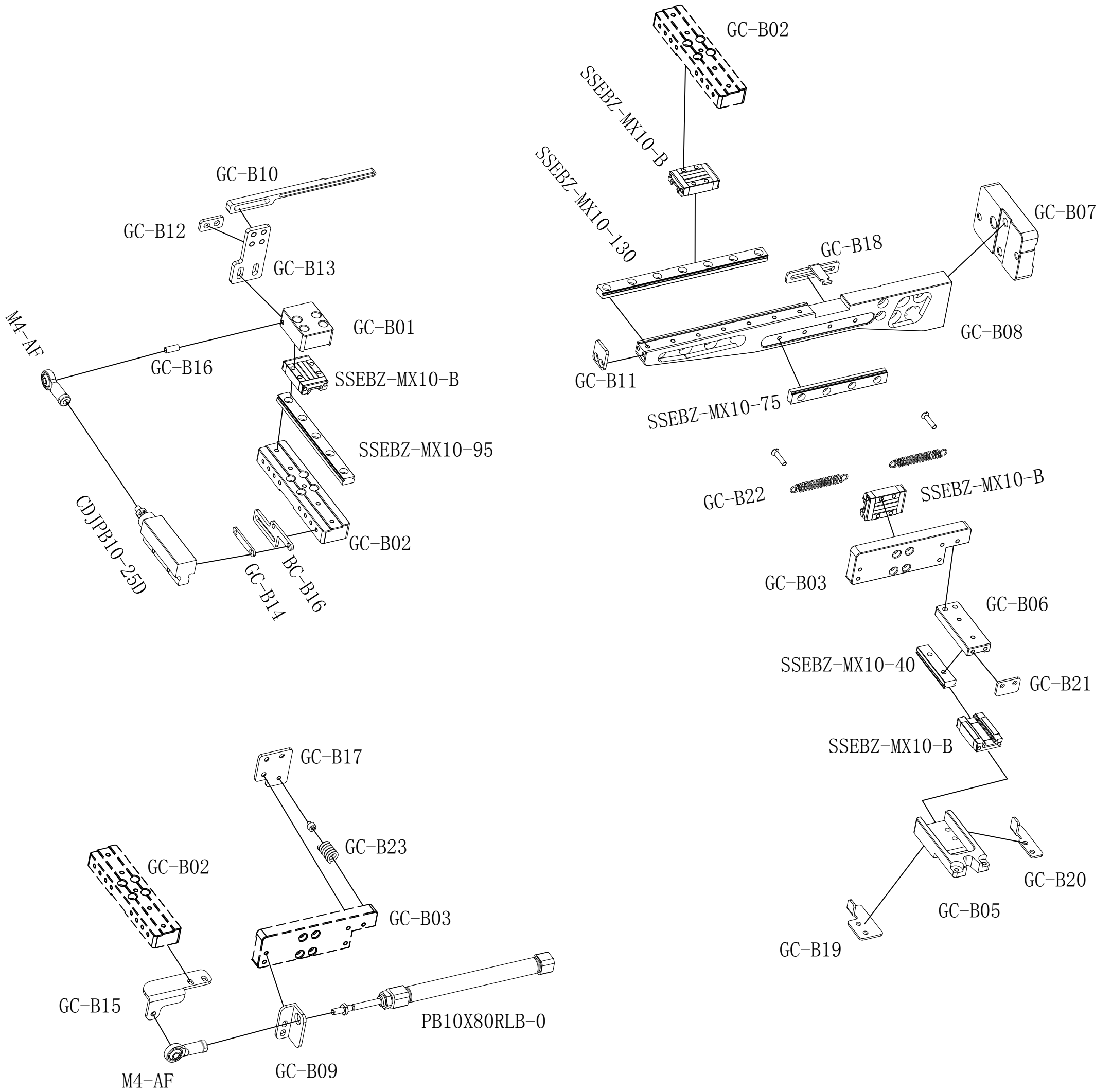
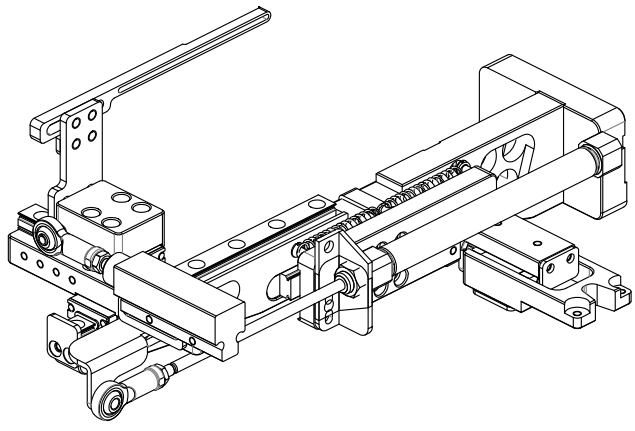
GC-J06



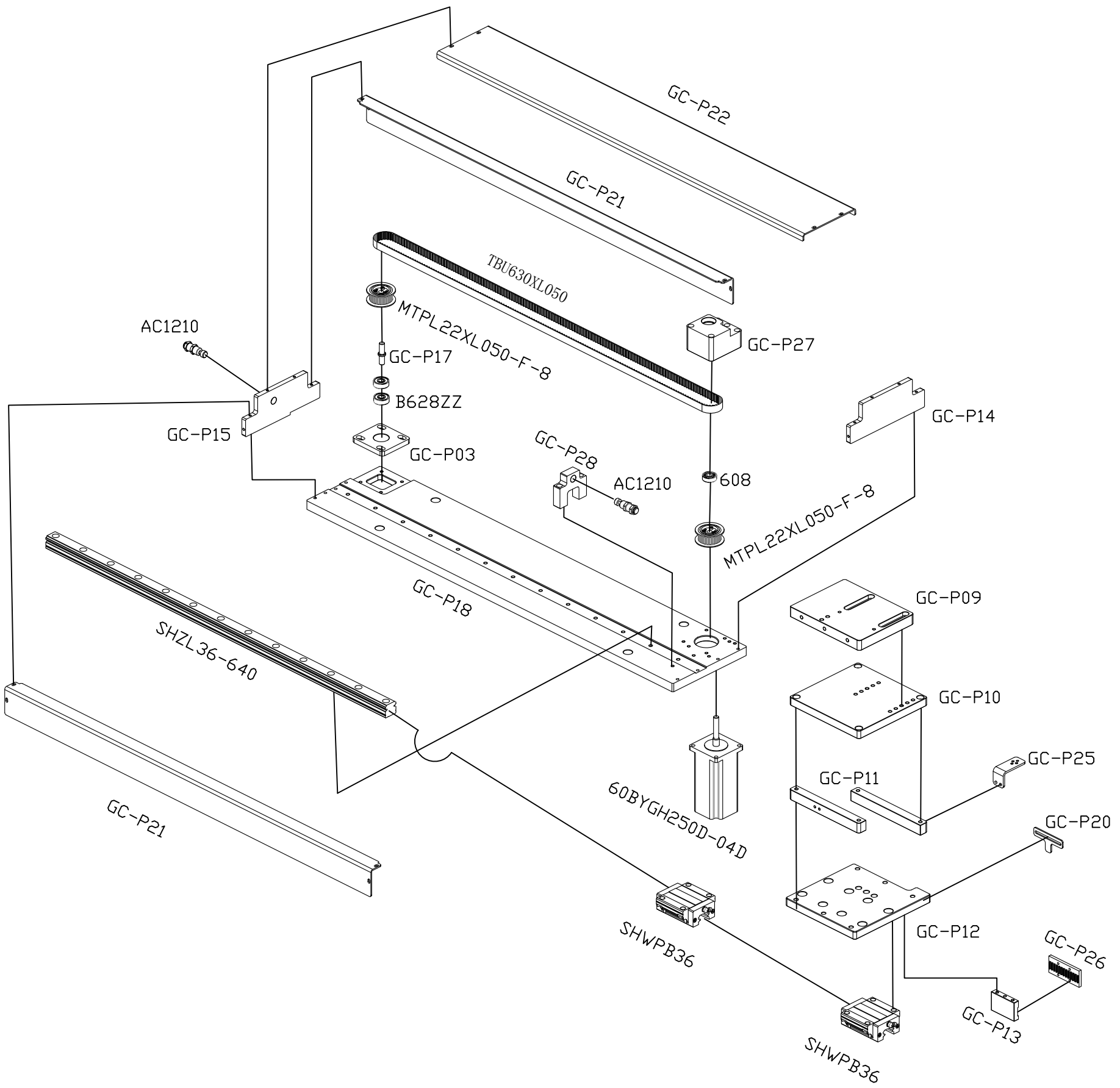
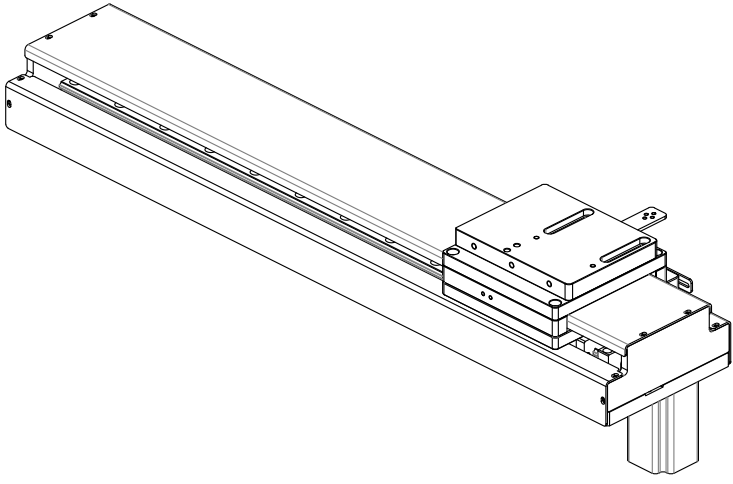
# GC-S01-25



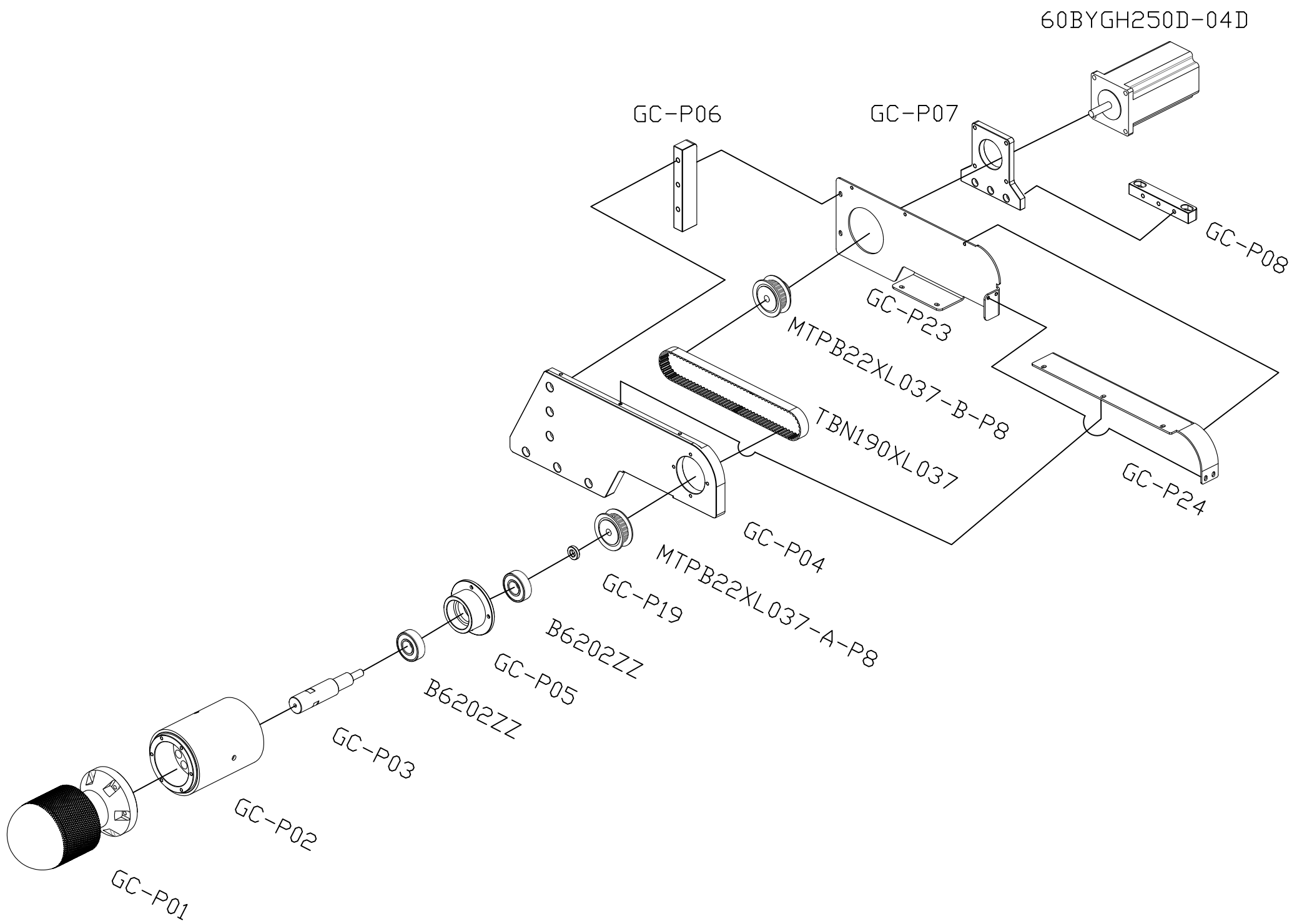
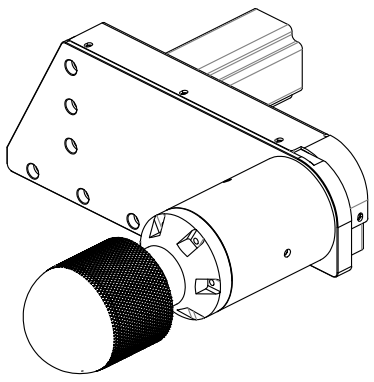
# GC-B01-23



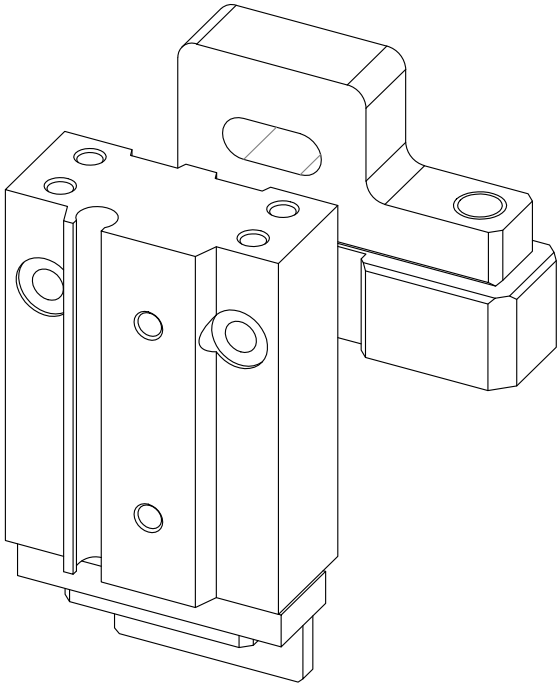
# GC-P09-27



# GC-P01-24



GC-B26-29



GC-B26

GC-B29

GC-B27

YM03-14-N

MJ6-20



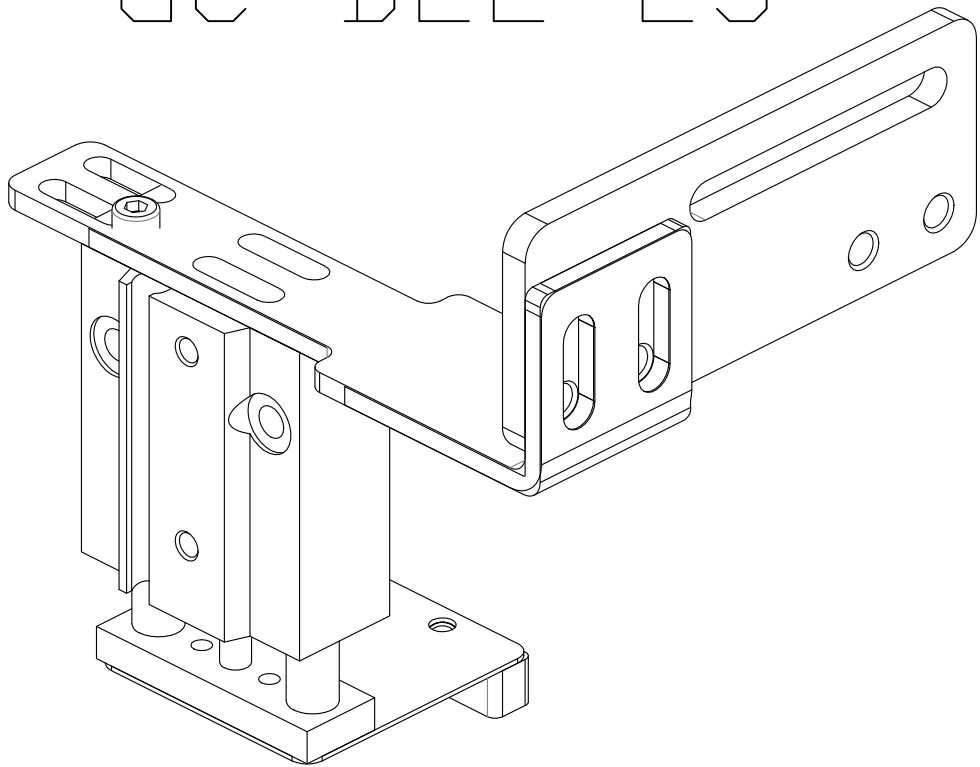
GC-B28

YM2.5-8-N

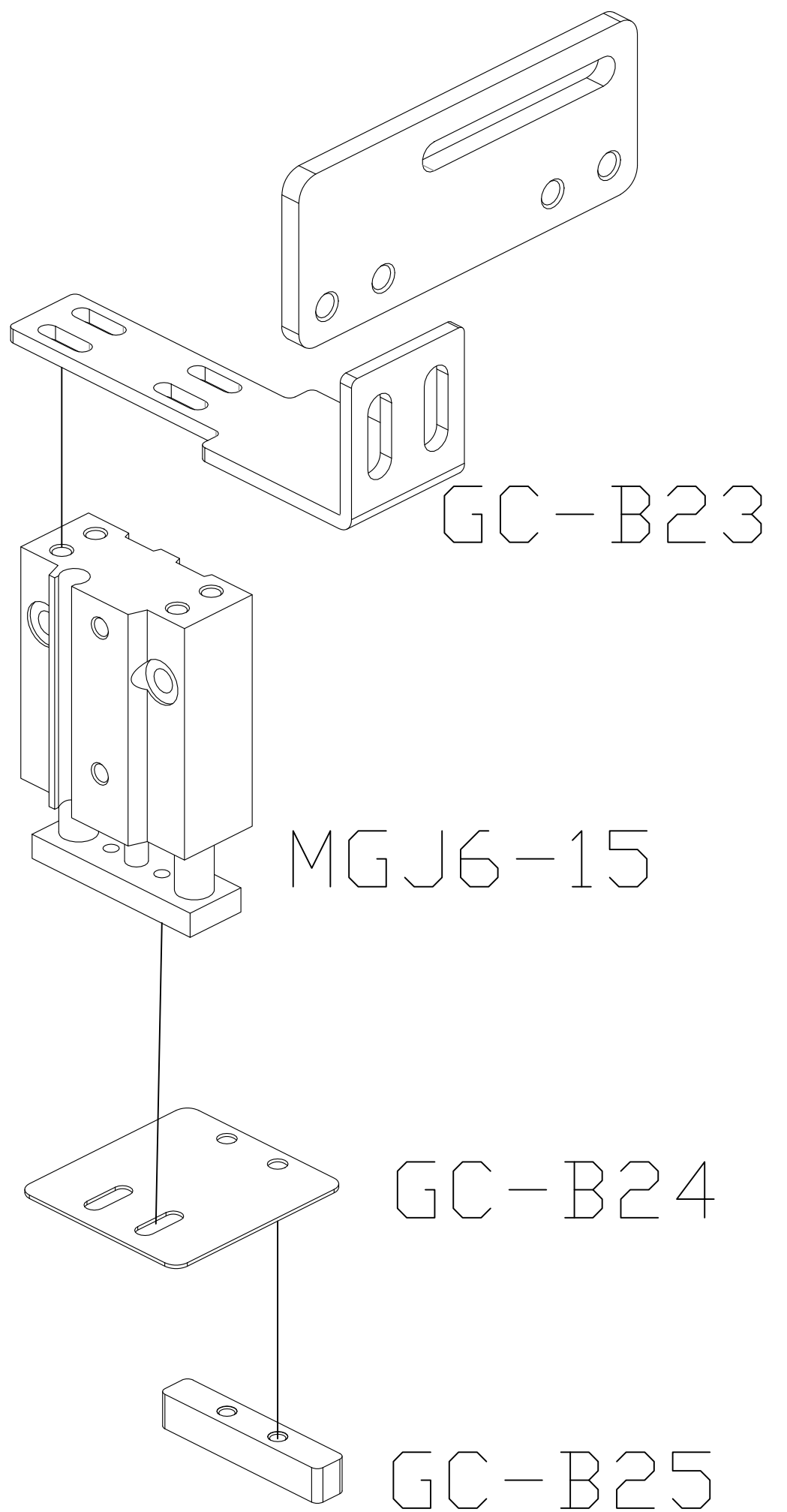




GC-B22-25



GC-B22



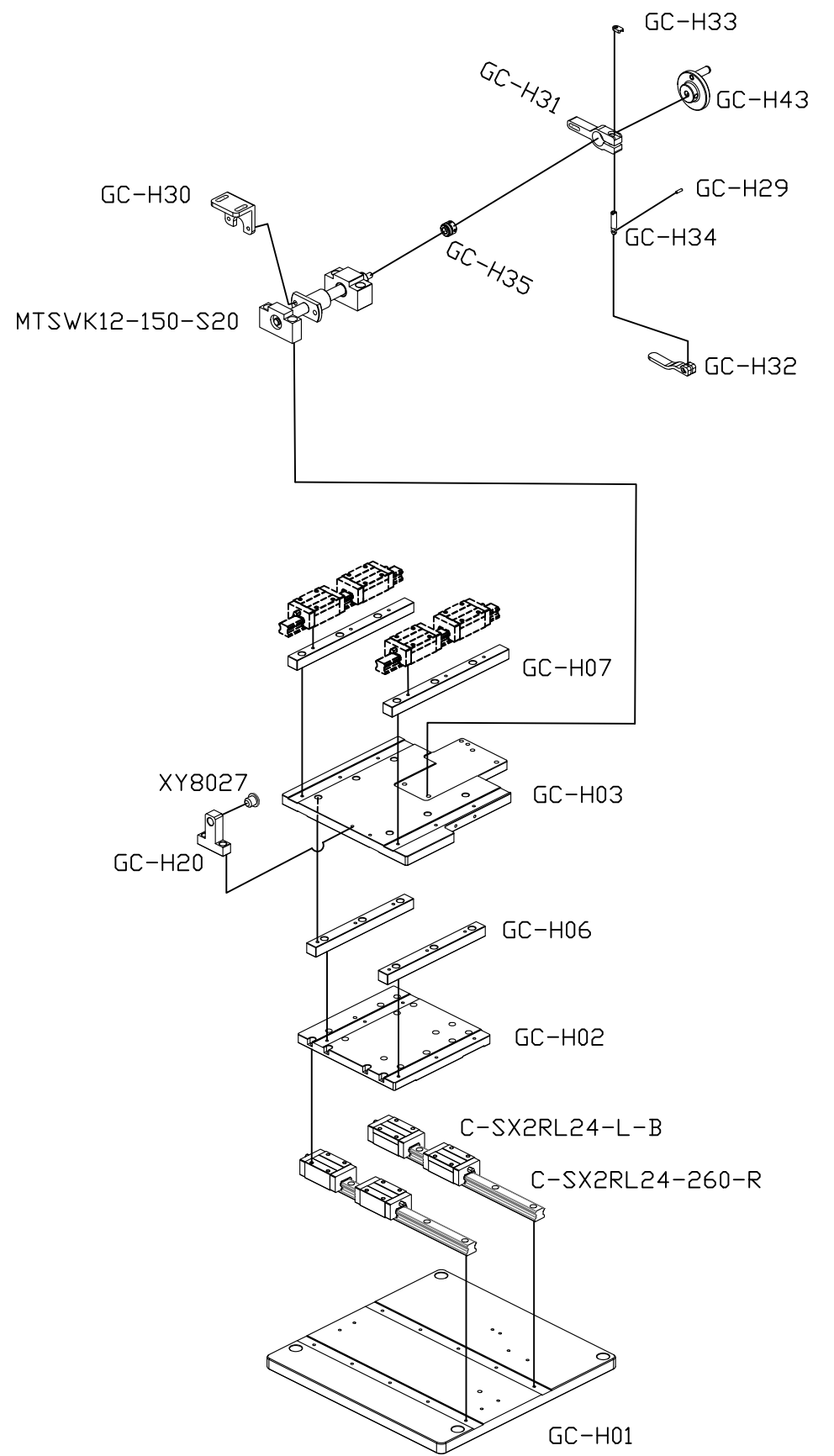
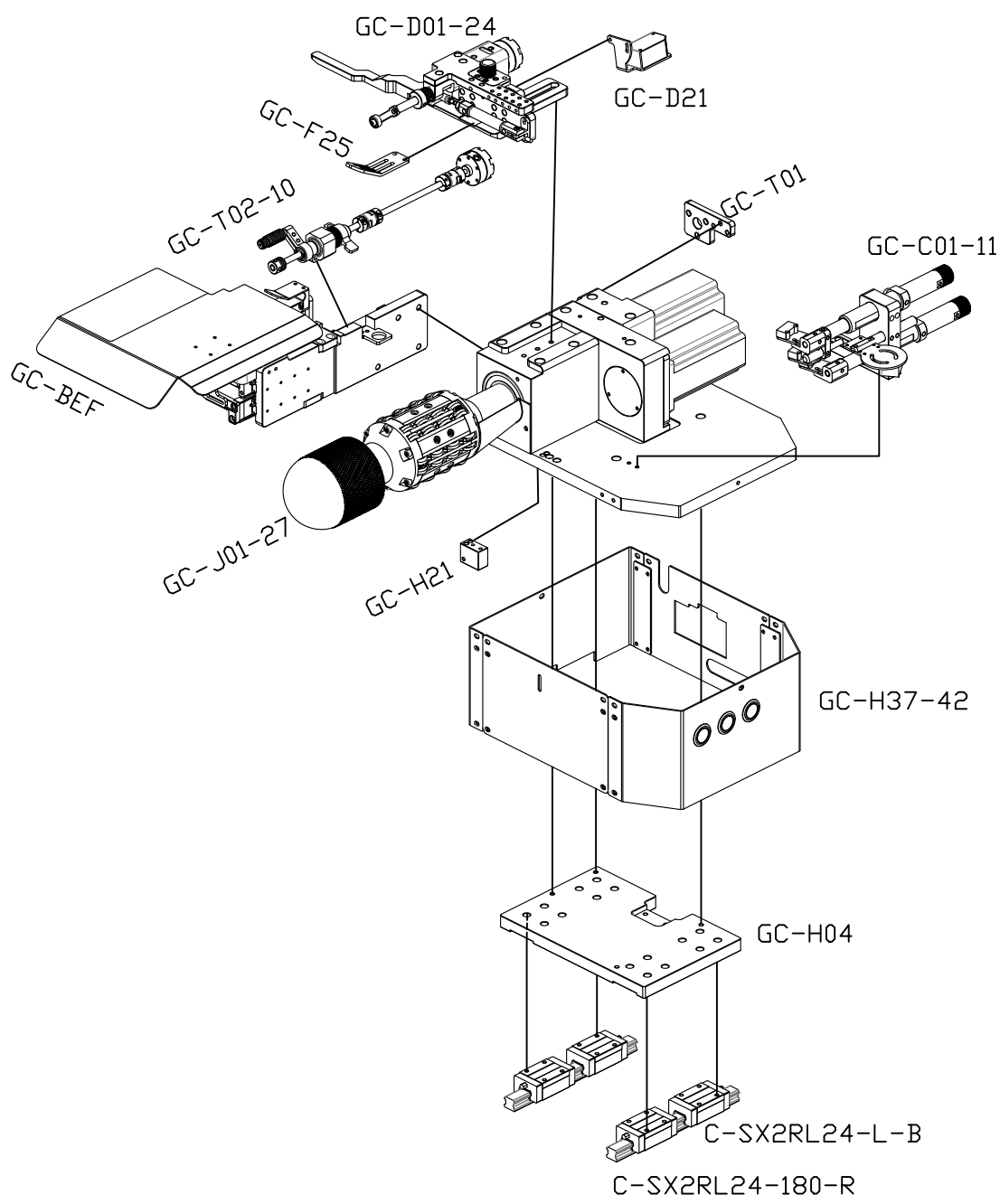
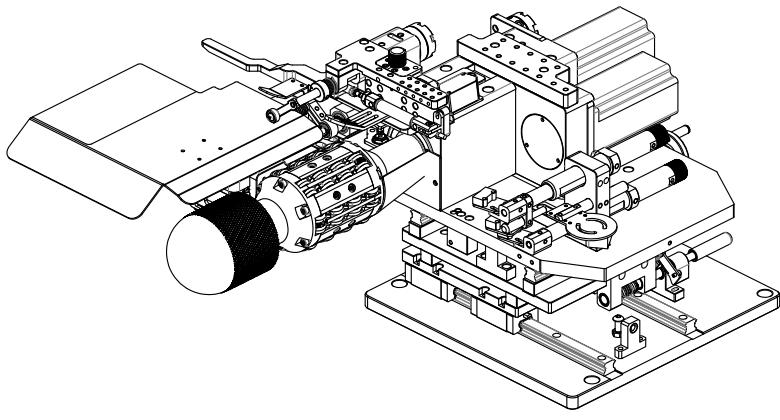
GC-B23

MGJ6-15

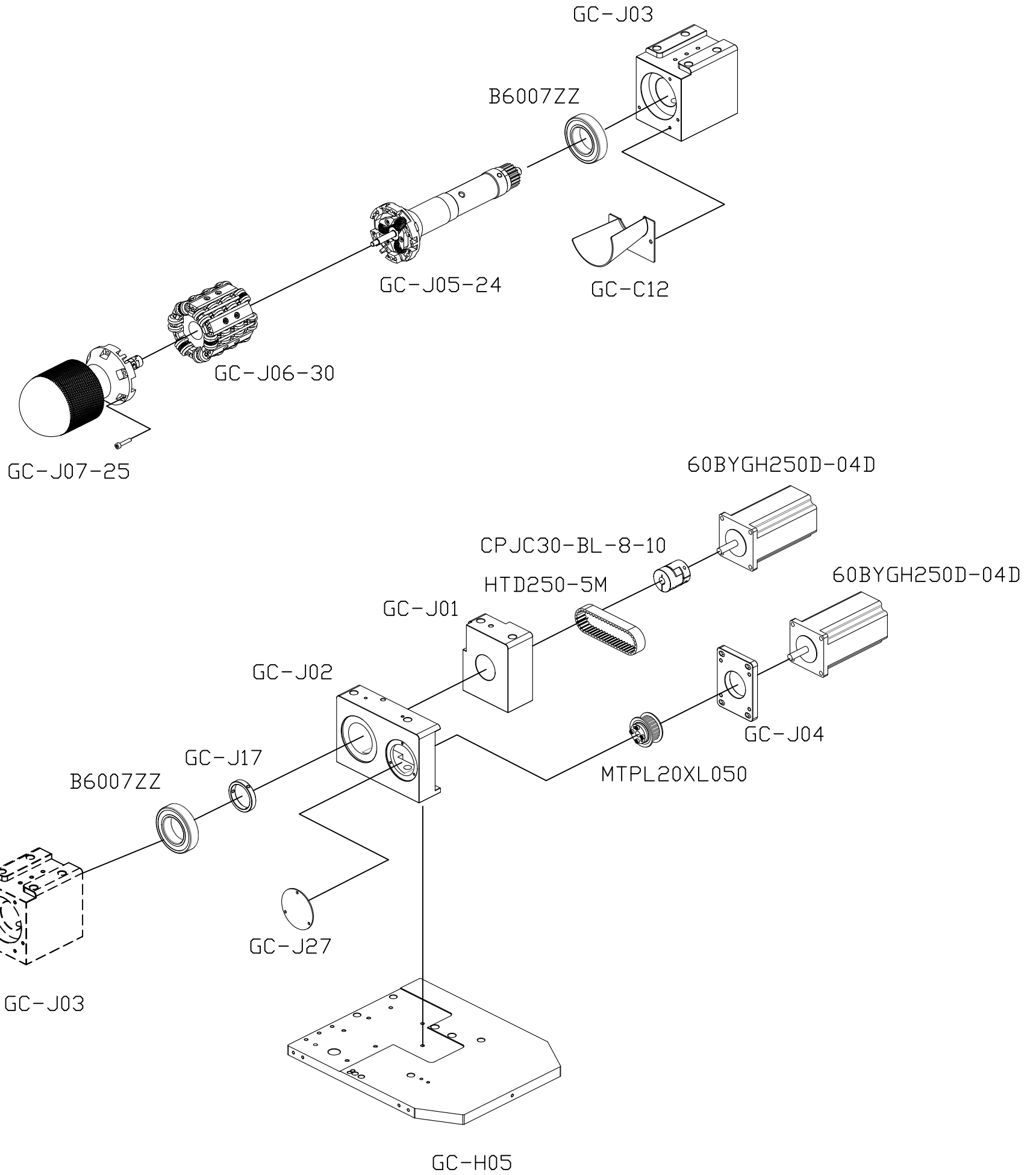
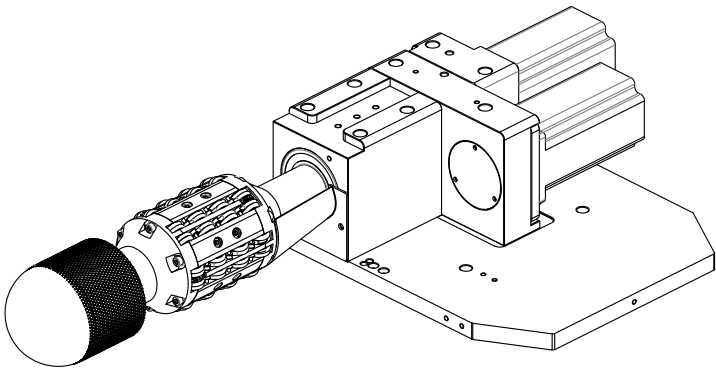
GC-B24

GC-B25

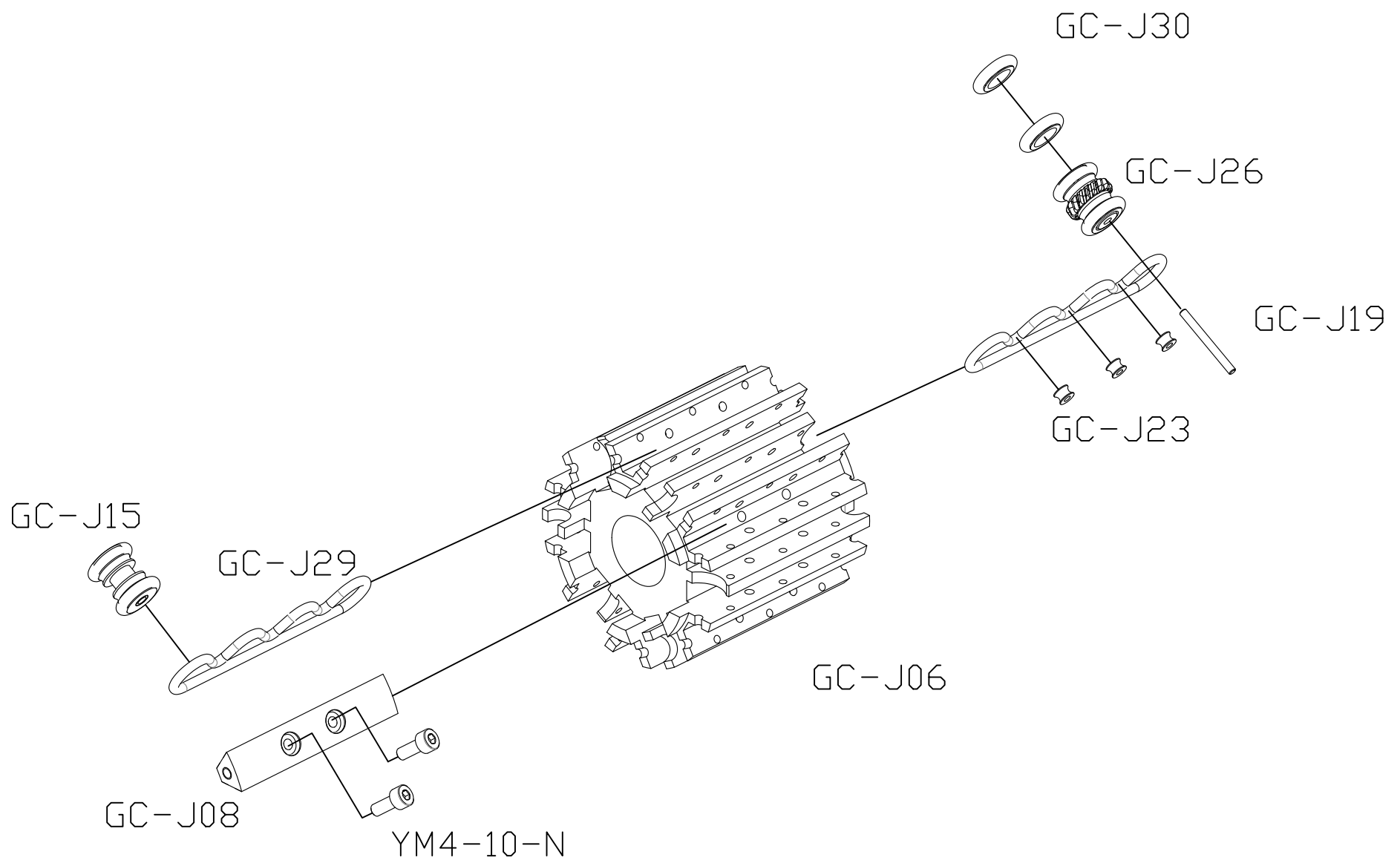
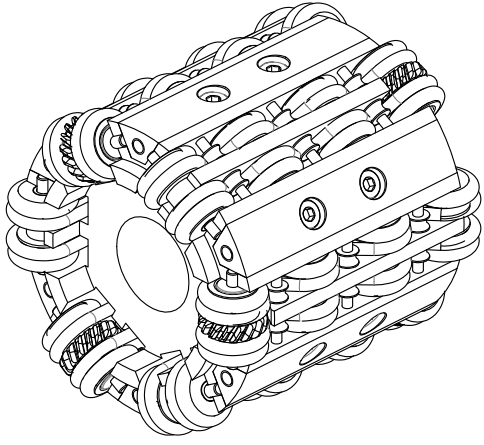
# GC-B-H



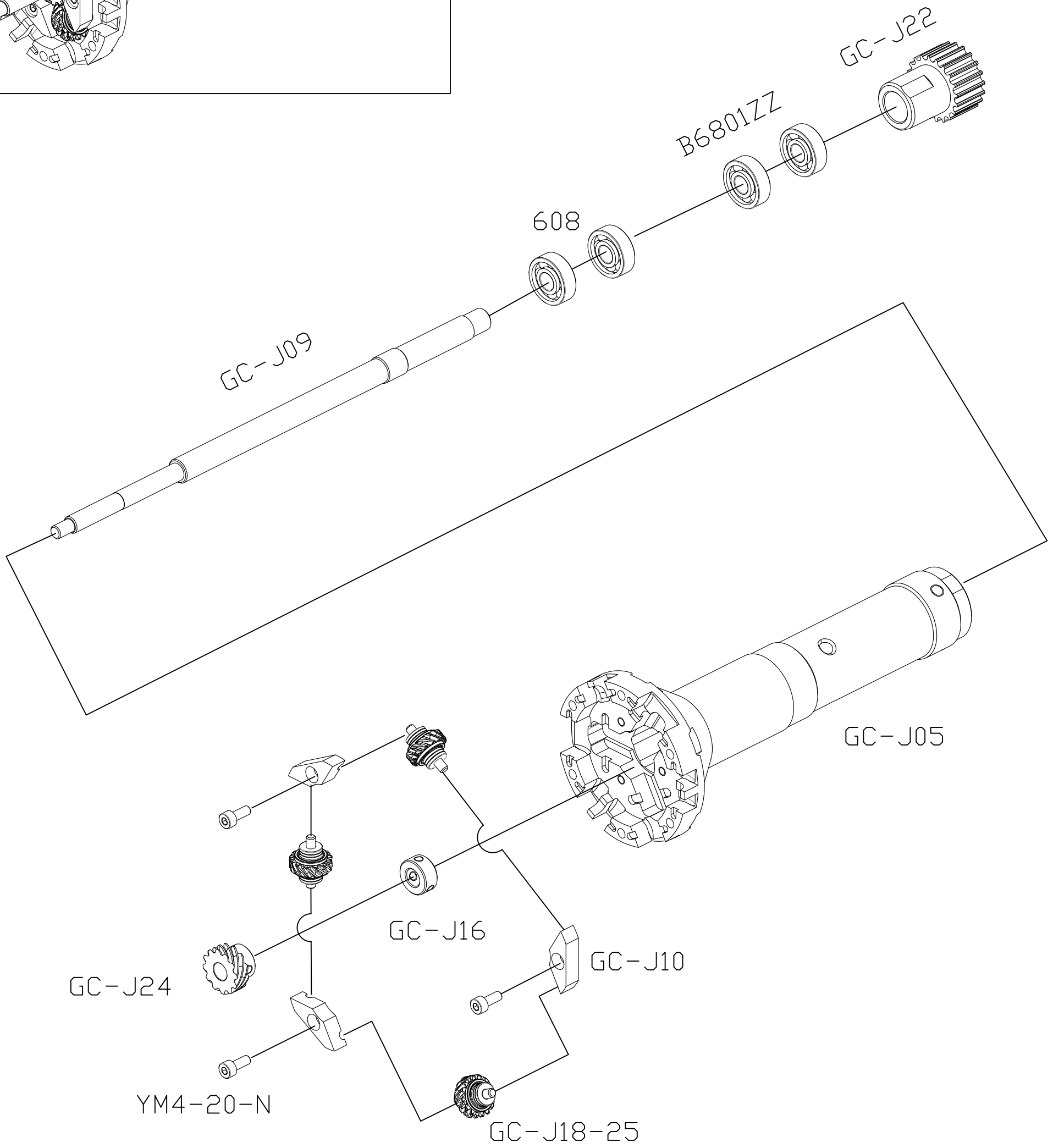
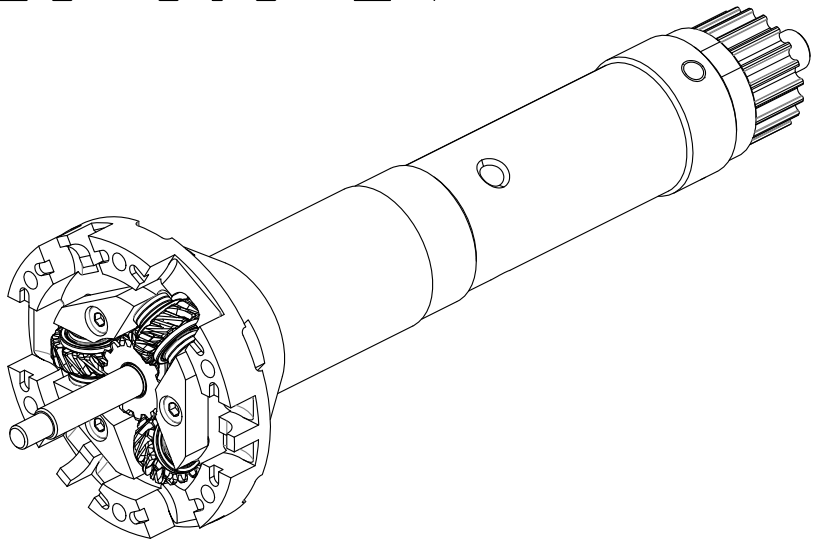
# GC-J01-27



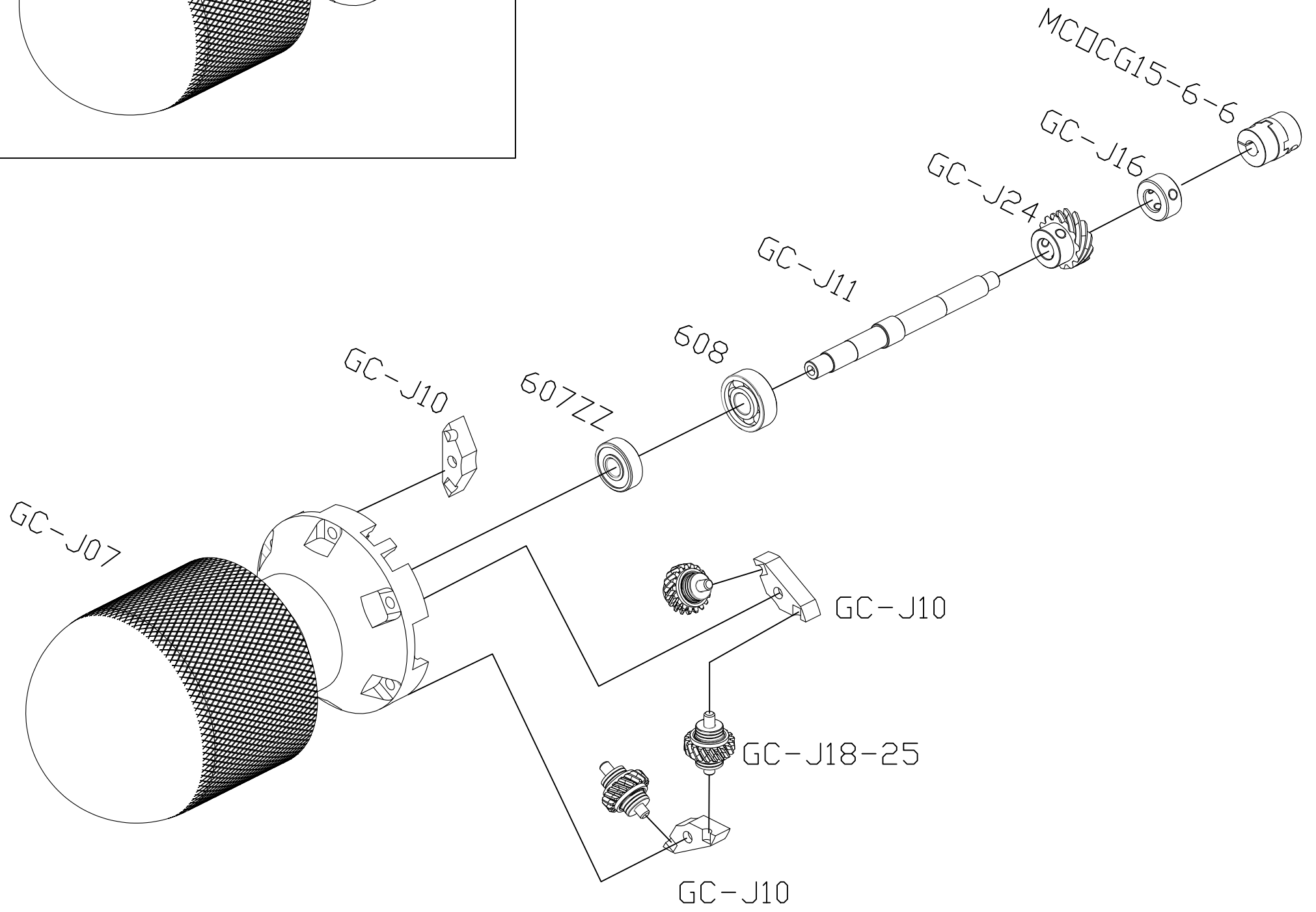
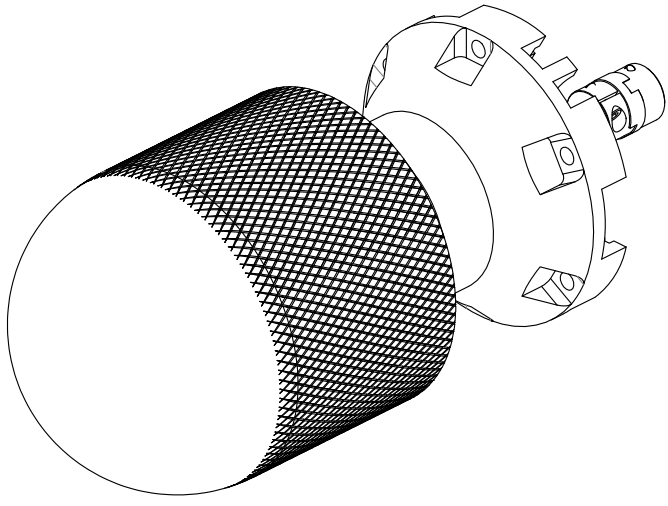
GC-J06-30

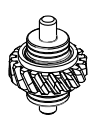
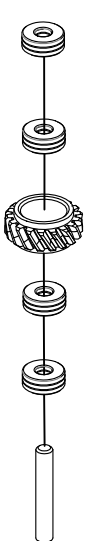


GC-J05-24

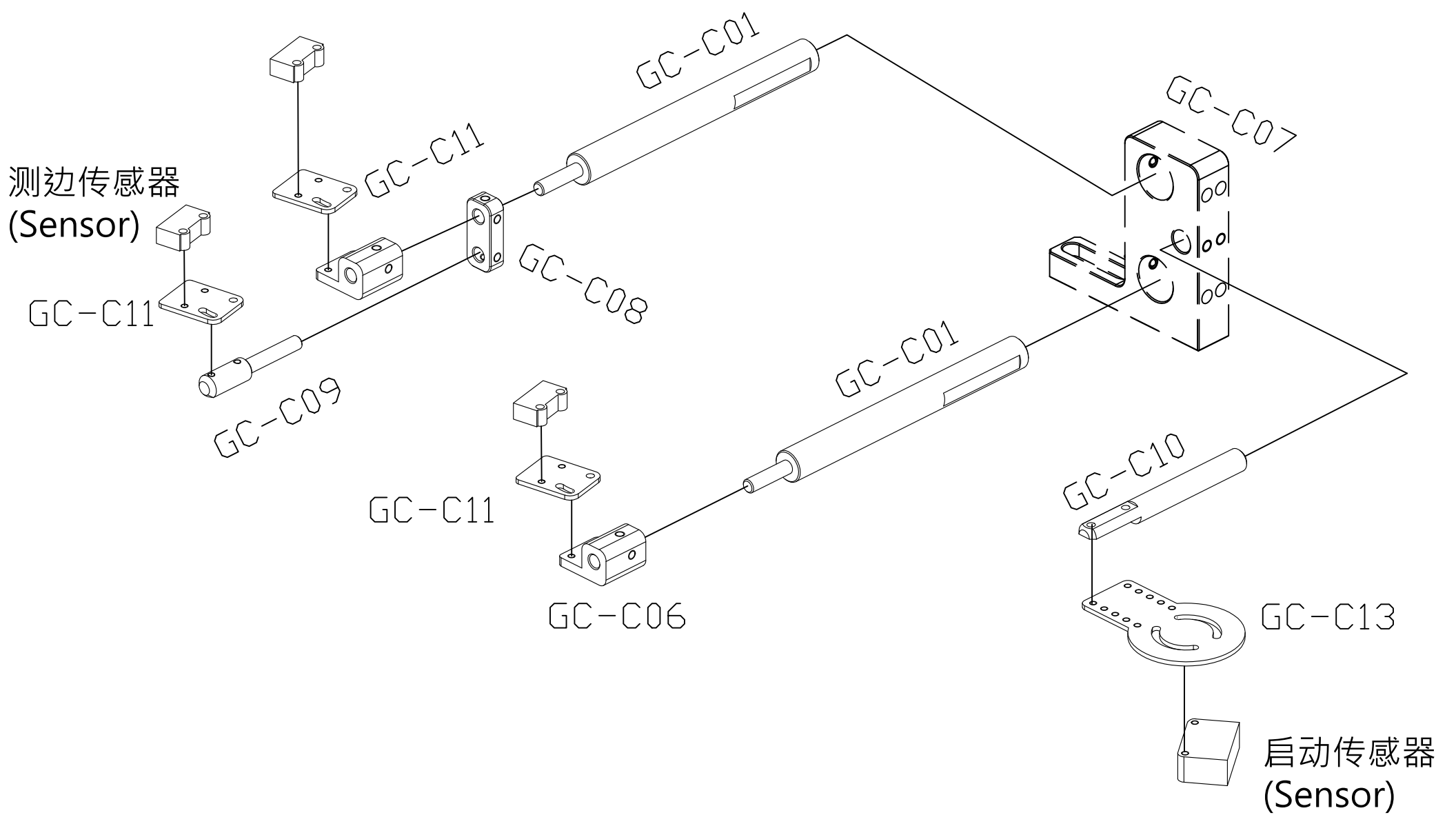
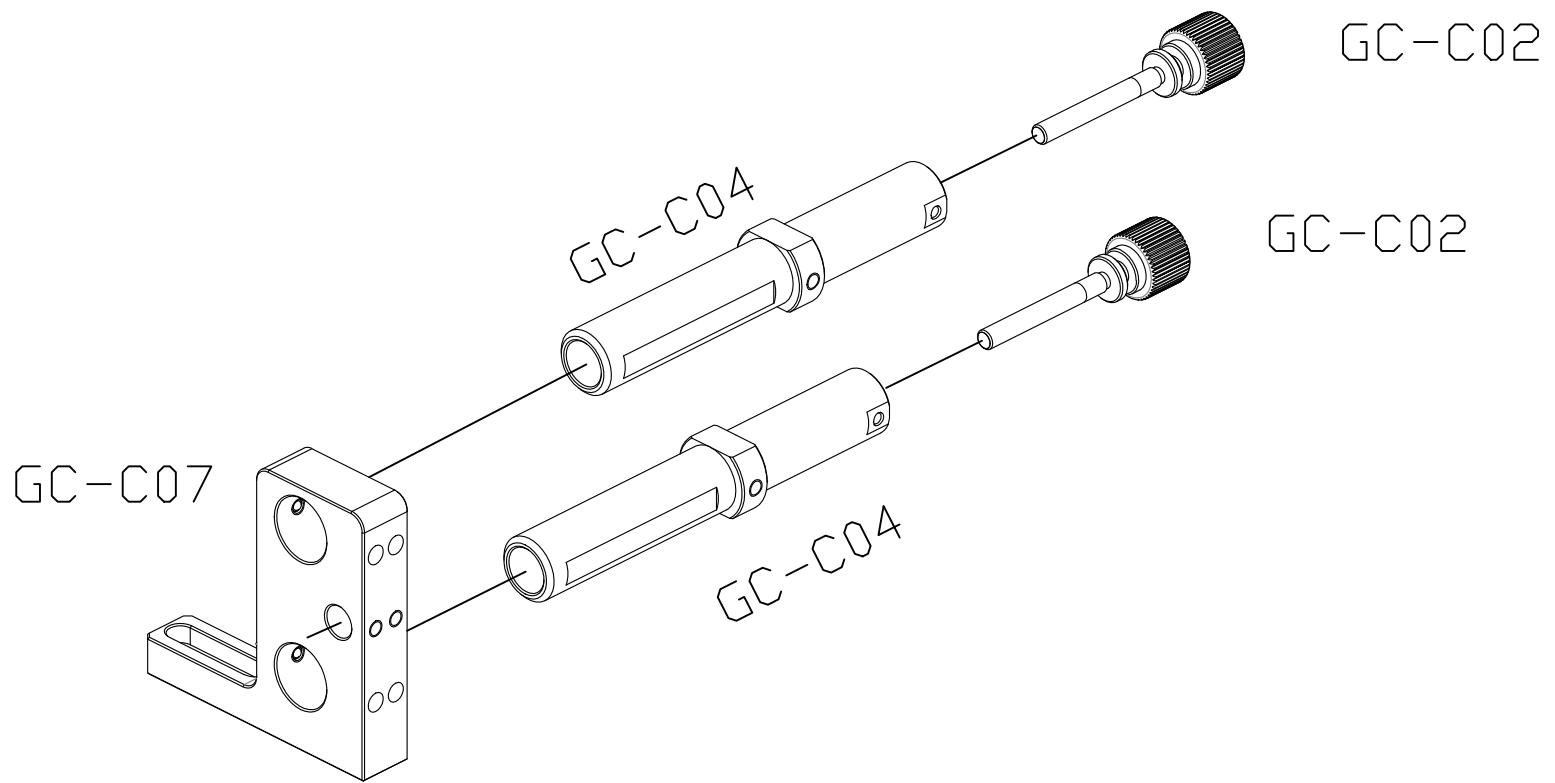
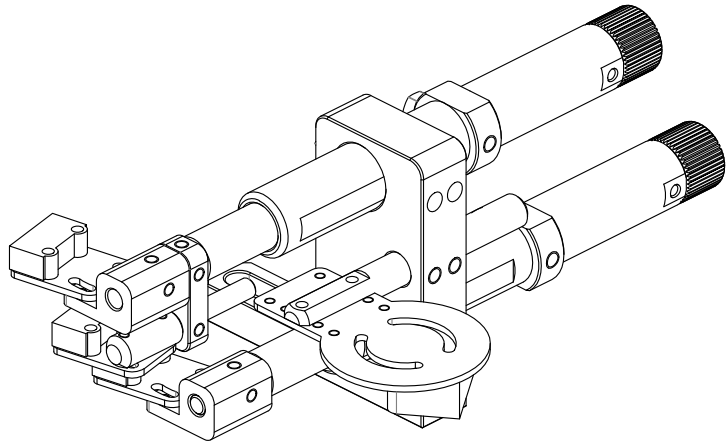


GC-J07-25

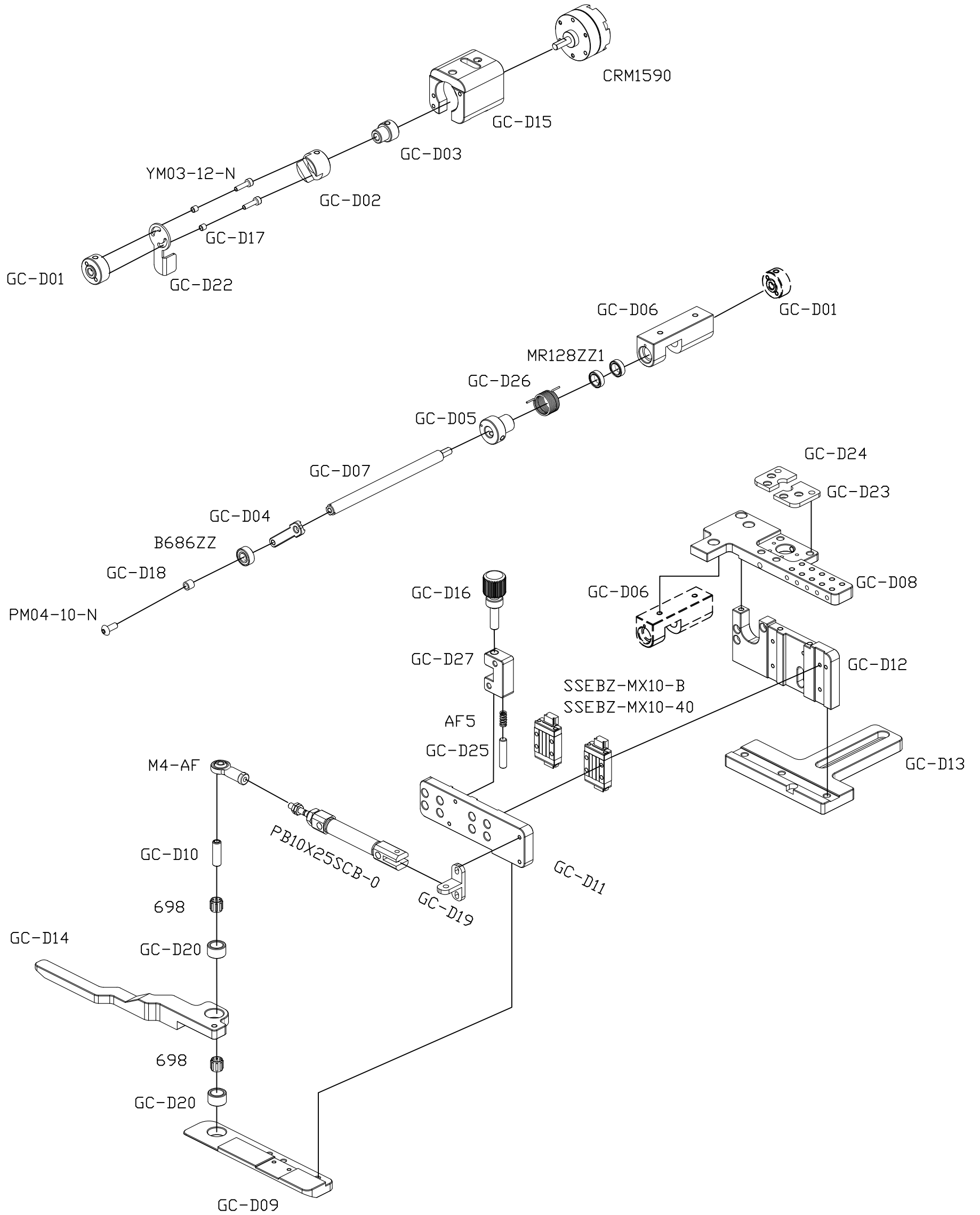
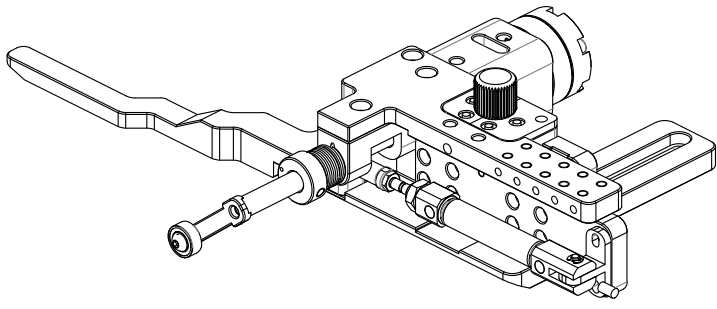


<p>GC-J18-25</p> 	 <p>F4-10M</p> <p>B694ZZ</p> <p>GC-J25</p> <p>B694ZZ</p> <p>F4-10M</p> <p>GC-J18</p>
--	---

GC-C01-13

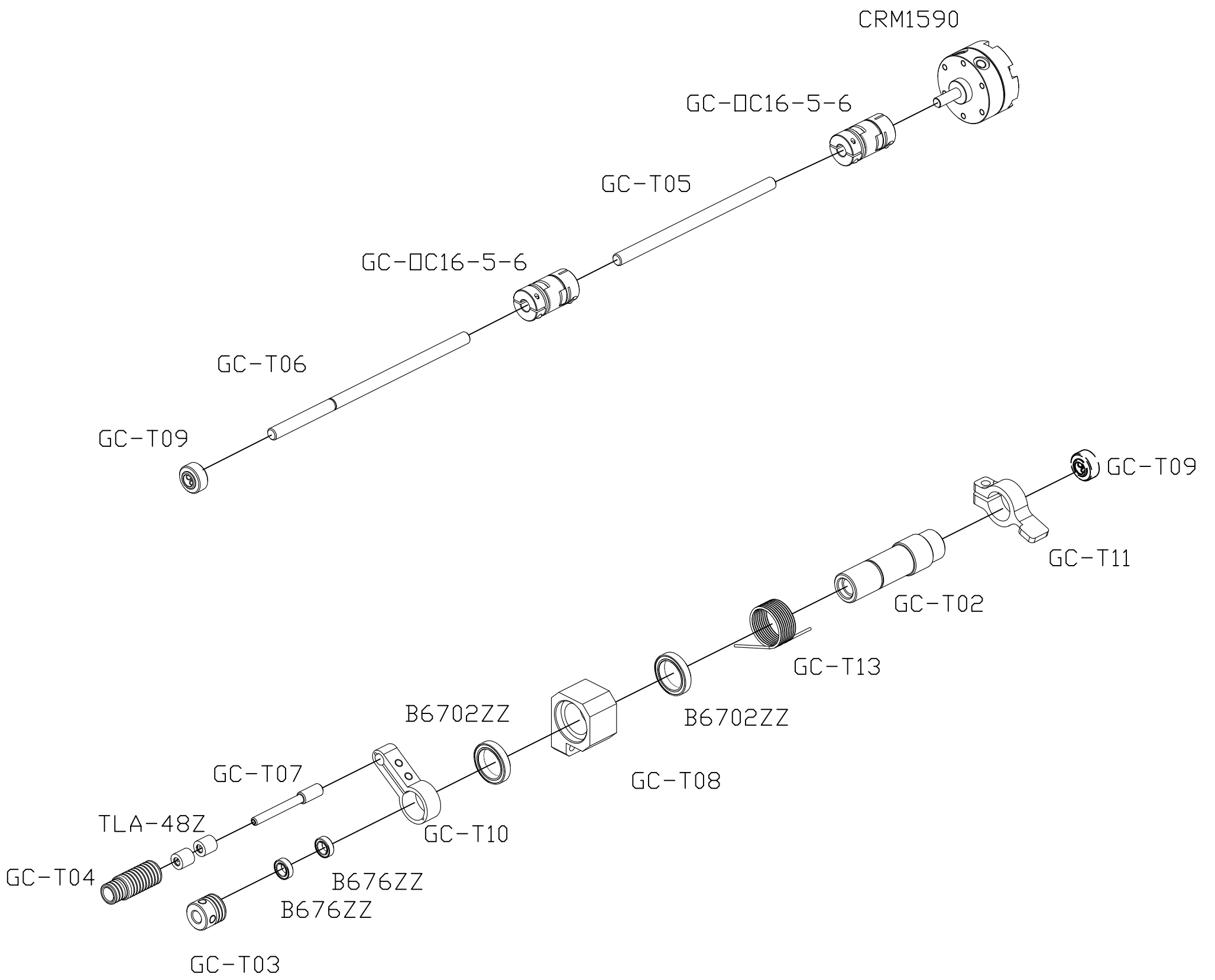
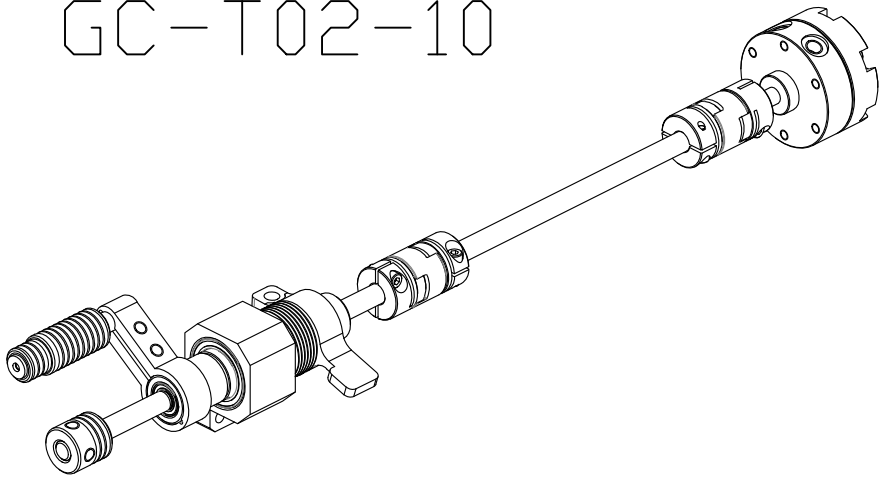


# GC-D01-24

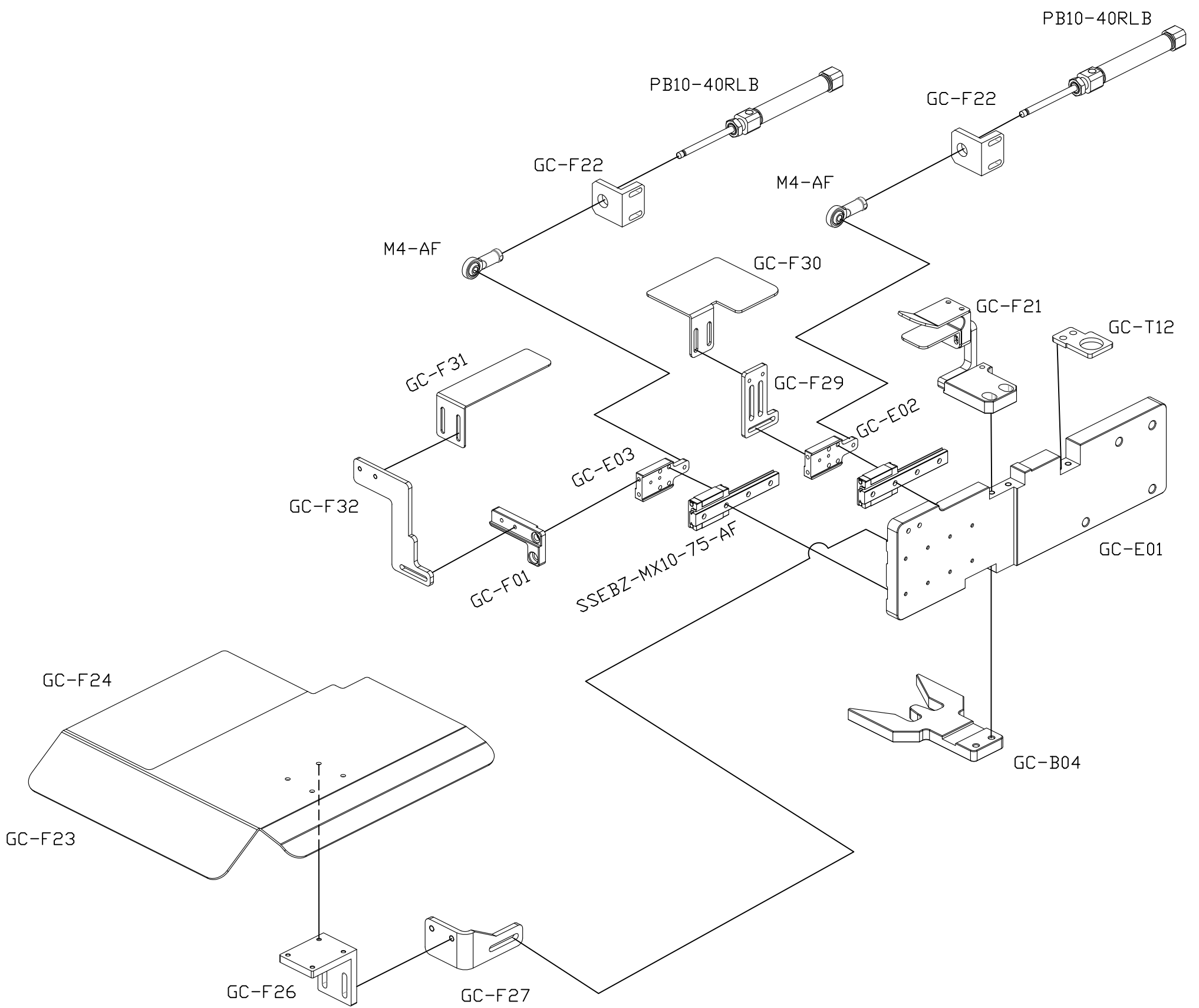
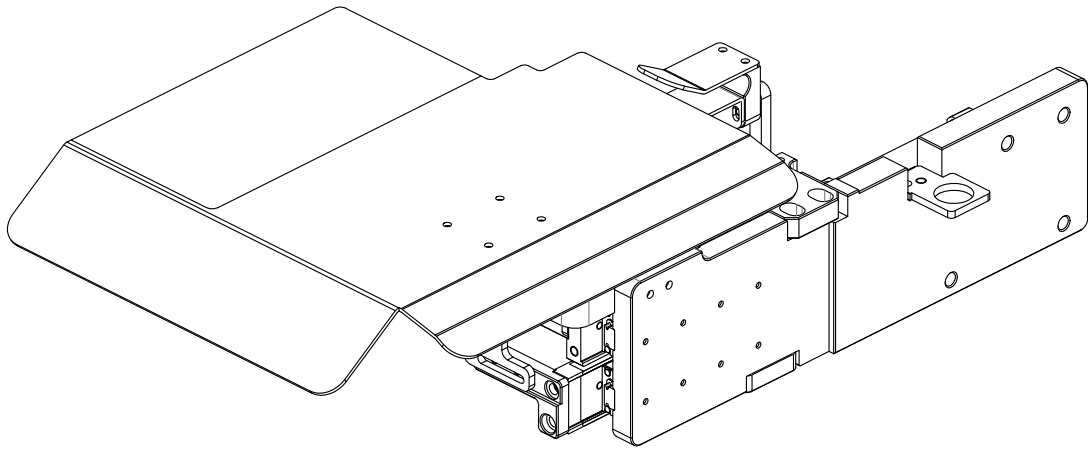




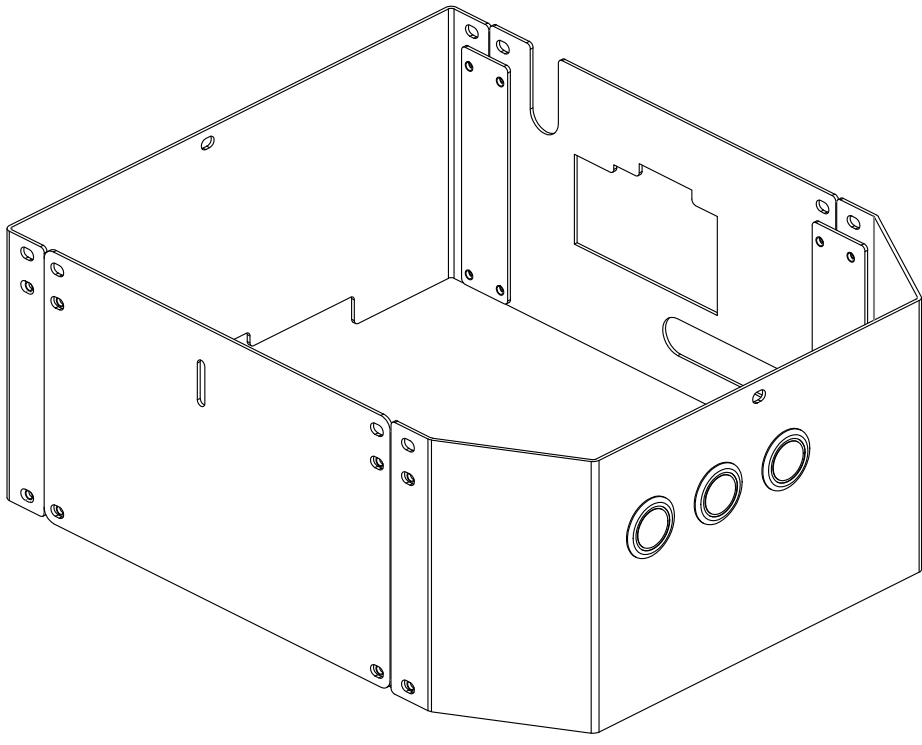
GC-T02-10



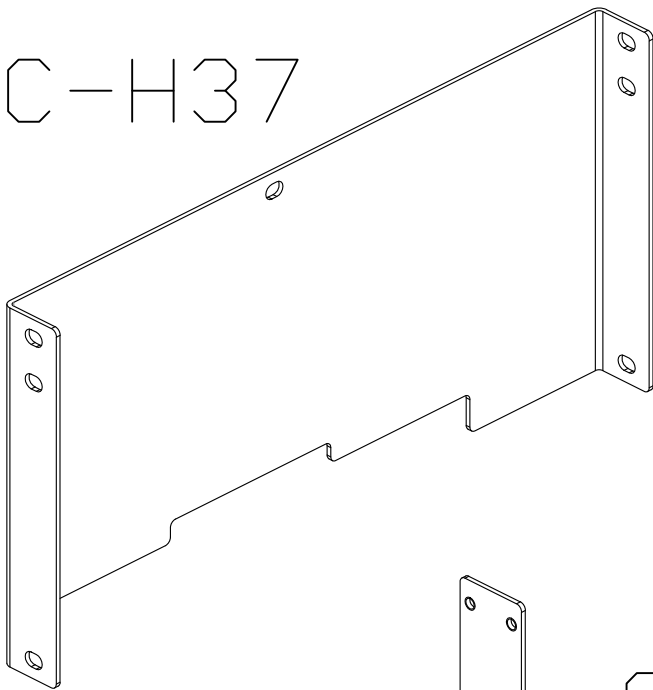
# GC-BEF



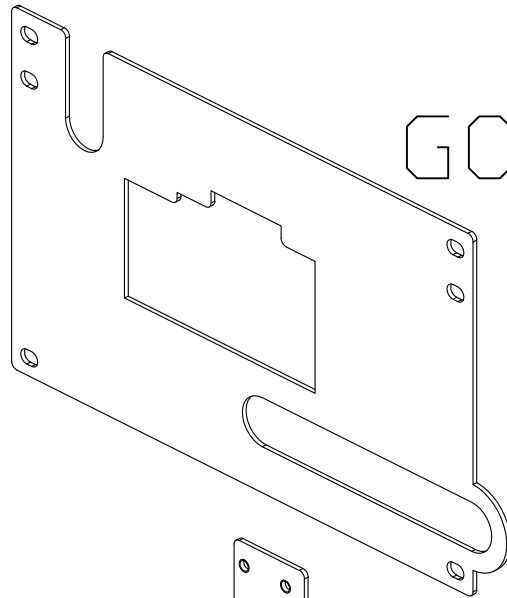
GC-H37-42



GC-H37



GC-H39



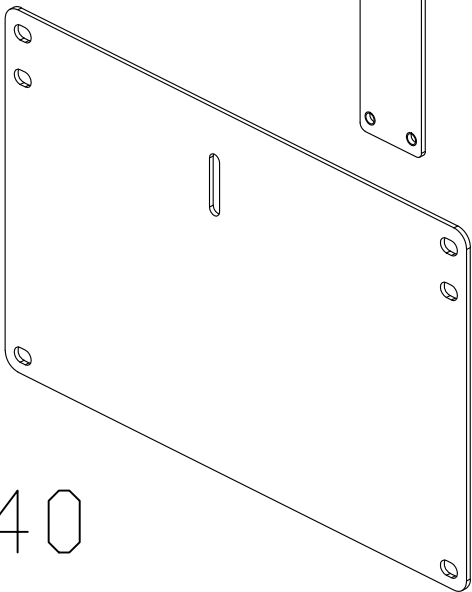
GC-H42



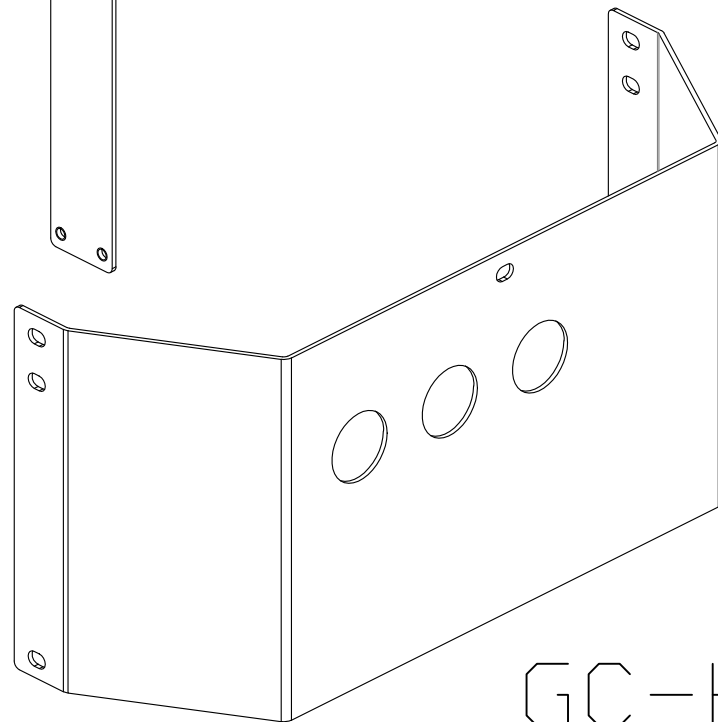
GC-H41

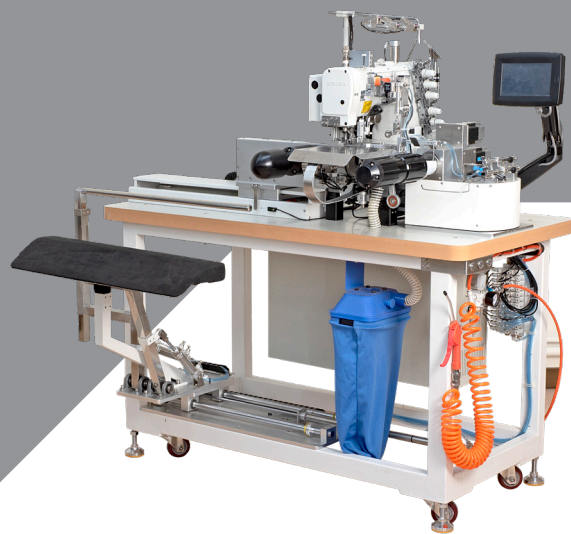


GC-H40



GC-H38





高林股份有限公司  
KAULIN MFG. CO., LTD.

由於對產品的改良及更新，本產品使用說明書中與零件圖之產品及外觀的修改恕不事先通知！  
The specification and/or appearances of the equipment described in this instruction book & parts list are subject to change because of modification which will without previous notice.  
ASC-TBH100A.MAR.2021